

# NELSON™ HEAT TRACING SYSTEMS

## HC750 CONTACTOR

### SPECIFICATION / APPLICATION

### INSTALLATION

#### DESCRIPTION



#### ENCLOSURE

Cast Aluminum

#### CLASSIFICATIONS

NEMA Type 4, 7, 9 IP66

#### ELECTRICAL DATA

CSA, FM Rating  
50 amp resistive @ 600VAC

#### SWITCH TYPE

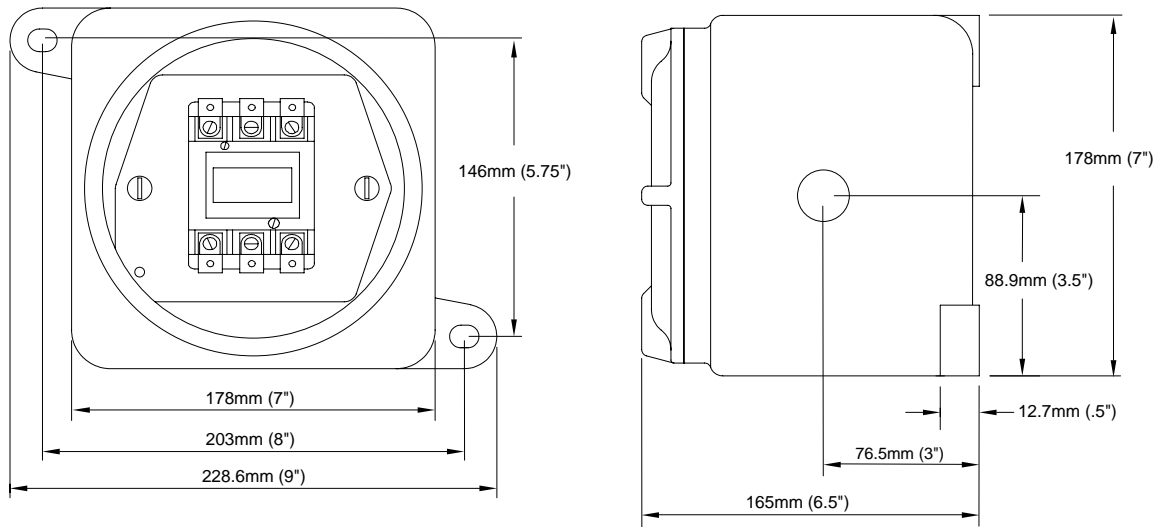
Triple Pole Single Throw

#### COIL VOLTAGE

Blank	=	120V
X208	=	208V
X240	=	240V
X277	=	277V
X480	=	480V

This contactor is used for switching loads in excess of thermostat contacts, ratings or switching multi loads with one thermostat in hazardous locations.

#### OUTLINE

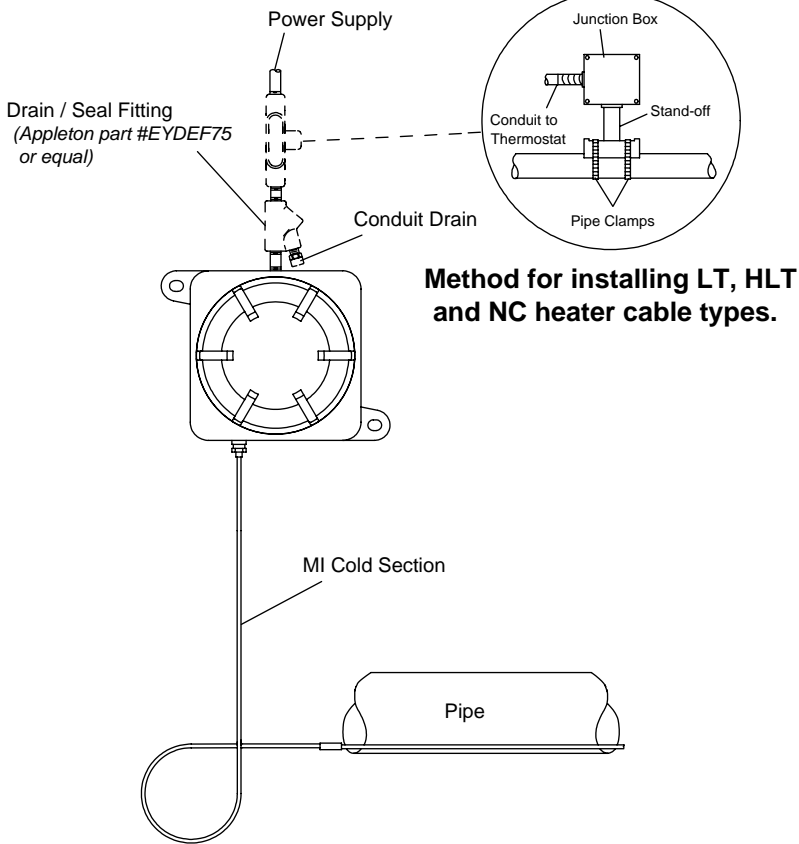


#### Approvals:

FM - Class I; Div. 1; Groups B, C, D  
- Class II; Div. 1; Groups E, F, G  
- Class I; Zone 1; AEx d IIB+H<sub>2</sub>

CSA - Class I; Div. 1; Groups B, C, D  
- Class II; Div. 1; Groups E, F, G  
- Class I; Zone 1; Ex d IIB+H<sub>2</sub>

## INSTALLATION



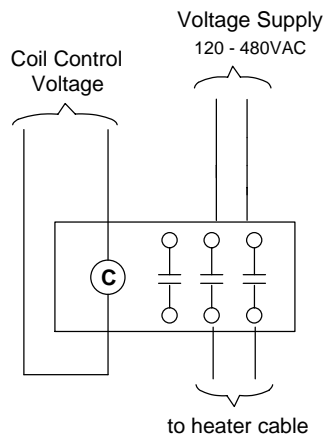
### INSTALLATION NOTES:

- Securely mount enclosure and make electrical connections.
- Reinstall enclosure cover to prevent damage from inclement weather.
- Insure all fittings associated with the power wiring are installed per applicable codes.
- When conduit type systems are used, low point drains / conduit drains are highly recommended.

### ANNUAL MAINTENANCE:

Spray a coat of lubricant and rust preventative such as CRC Stor & Lube on the electrical wire connections.

## WIRING DIAGRAM



Nelson Heat Tracing Systems products are supplied with a limited warranty. Complete Terms and Conditions may be found on Nelson's website at [www.nelsonheaters.com](http://www.nelsonheaters.com).