

Nelson's ALT Series aluminum connection kits are Factory Mutual, Underwriters Laboratory and Canadian Standards Association approved for use in ordinary and Division 2 hazardous areas when used with approved Nelson heating cables. ALT Series connection kits are approved for use with all Nelson LT, HLT and NC Series field-fabricated heating cables. Enclosures supplied in ALT Series connection kits are rated NEMA 4, 7, 9.

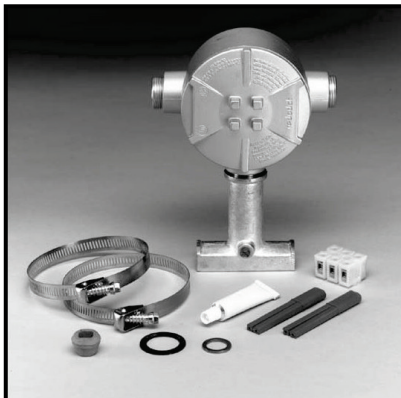


ALT-BC Power Connection Kit:

The ALT-BC Power Connection Kit is suitable for connecting up to two heating cables to customer supplied power wiring.

Kit Contents:

- 1 Universal Base, Sealing Gasket, and Compression Washer
- 1 Junction Box with Sealing Gasket and Cover
- 1 Sealing Grommet (Specify Cable Construction*)
- 1 Power Termination and Cable End Seal with Adhesive Sealant
- 1 3-Point Floating Terminal Block
- 2 Stainless Steel Pipe Clamps (Specify Pipe Size)
- * Selection of -U grommet includes (1) additional power termination and (1) additional end seal for multiple cable entry.



ALT-BS Splice Connection Kit:

The ALT-BS Splice Connection Kit is designed for connecting two heating cables in an in-line splice configuration.

Kit Contents:

- 1 Universal Base, Sealing Gasket, and Compression Washer
- 1 Junction Box with Sealing Gasket and Cover
- 1 Sealing Grommet
- 2 Power Terminations with Adhesive Sealant
- 1 3-Point Floating Terminal Block
- 2 Stainless Steel Pipe Clamps (Specify Pipe Size)



ALT-BY Tee Connection Kit:

The ALT-BY Tee Connection Kit is designed for connecting three heating cables in a tee splice configuration.

Kit Contents:

- 1 Universal Base and Sealing Gasket
- 2 Compression Washers
- 1 Junction Box with Sealing Gasket and Cover
- 1 Watertight Connection Fitting and Hi-Temp Flexible Tubing
- 2 Sealing Grommets (Specify Cable Construction)
- * Power Terminations and Cable End Seals with Adhesive Sealant
- 1 3-Point Floating Terminal Block
- 2 Stainless Steel Pipe Clamps (Specify Pipe Size)
- * Number of cable terminations based on standard usage of tee splice configuration; (3) power terminations and (2) end seals.

Nelson's ALT Series aluminum connection kits include all components necessary to complete the installation of Nelson's full line of heat tracing cables. The selection tables below allow for the proper specifying of the complete connection kit assembly (example: ALT-BC-J-12).

ALT-

			3 12 20	SPECIFY PIPE SIZE
				.75 – 3.0 3.5 – 12.0 12.5 – 20.0
		B J U		SPECIFY CABLE CONSTRUCTION
				Braided Heater Overjacketed Heater Multiple (2) Cable Entry or Special Heater Constructions
BC BS BY	SPECIFY KIT CONFIGURATION			
	Power Connection Splice Connection Tee Connection			

Nelson Heat Tracing Systems products are supplied with a limited warranty. Complete Terms and Conditions may be found on Nelson's website at www.nelsonheaters.com.